

Current part is item (4) on diagram. Available at www.oshkoshequipment.com

(1) (a) FIG. NO.	(2) (b) ITEM NO.	(3) SMR CODE	(4) NATIONAL STOCK NUMBER	(5) (6) PART NUMBER	(6) DESCRIPTION	(7) U/M	(8) INC IN UNIT
1204-HYDRAULIC BRAKE SYSTEM							
115	1	PAOZZ	2530-00-274-4511	7411010	19207 CYLINDER ASSEMBLY: HYDRAULIC BRAKES, WHEEL (SEE FIG 114, ITEM 8)	EA	6
115	2	PAOZZ	4730-00-516-7419	5167419	19207 BOLT, FLUID PASSAGE	EA	6
115	3	PAOZZ	5310-00-209-1761	5160323	19207 WASHER, FLAT: INLET FITTING BOLT	EA	6
115	4	PAOZZ	4730-00-278-5812	5298521	19207 CONNECTOR, MULTIPLE, FLUID PRESSURE LINE: INLET	EA	6
115	5	PAOZZ	5310-00-275-6635	5214539	19207 WASHER, FLAT: INLET FITTING	EA	6
115	6	PAOZZ	2530-00-737-3260	7373260	19207 BLEEDER VALVE, HYDRAULIC	EA	1
116	1	PAOZZ	5306-00-317-3096	596453	21450 BOLT, ASSEMBLED WASHER	EA	4
116	2	PAOZZ	5340-00-337-8222	7372733	19207 CONNECTOR, MASTER CYLINDER	EA	1
116	3	PAOZZ	5310-00-839-2066	MS35691-45	96906 NUT, JAM	EA	1
116	4	PAOFF	2530-00-753-9267	7539267	19207 CYLINDER ASSEMBLY, HYDRAULIC BRAKE MASTER	EA	1
116	5	PAOFF	4730-00-287-1835	MS49005-2	96906 PIPE, PLUG	EA	1
116	6	PAOFF	2530-00-703-2636	7032636	19207 CAP	EA	1
116	7	PAOFF	5365-00-737-3354	7373354	19207 SPACER	EA	1
117	2	PAOZZ	5305-00-269-2801	MS90726-58	96906 SCREW, CAP, HEXAGON HEA	EA	8
117	3	PAOZZ	5340-00-954-6014	MS21333-121	96906 CLAMP, LOOP	EA	10
117	4	PAOZZ	5340-00-523-5996	7373268	19207 CLAMP, LOOP: BRAKE LINE	EA	5
117	5	PAOZZ	4710-00-752-9371	7529371	19207 TUBE ASSEMBLY, METAL: FORWARD REAR AXLE TEE TO RIGHT WHEEL CYLINDER	EA	1
117	6	PAOZZ	2520-00-752-9373	7529373	19207 LINE, AXLE TEE: REAR AXLE TEE TO RIGHT WHEEL CYLINDER	EA	1
117	7	PAOZZ	4710-00-752-9370	7529370	19207 TUBE ASSEMBLY, METAL: FORWARD REAR AXLE LINE TEE TO LEFT WHEEL CYLINDER	EA	1
117	8	PAOZZ	4710-00-752-9372	7529372	19207 TUBE ASSEMBLY, METAL: REAR, REAR AXLE LINE TO TEE TO LEFT WHEEL CYLINDER	EA	1
117	9	XBOZZ		125931	21450 CLAMP, LOOP: REAR AXLE BRAKE HOSE TO TORQUE ROD AA, AB	EA	4
117	9	PAOZZ	5340-00-904-3705	MS21333-82	96906 STRAP, ADJUSTABLE, TIEDOWN AC	EA	4
117	10	PAOZZ	5310-00-934-9751	MS35650-302	96906 NUT: CLAMP MTG AA, AB	EA	8
117	11	PAOZZ	5310-00-809-8546	MS27183-8	96906 WASHER, FLAT: CLAMP MTG AA, AB	EA	8
117	12	XBOZZ		424339	21450 SCREW, ASSEMBLED WASHER: BRAKE HOSE CLAMP AA, AB	EA	4
117	13	PAOZZ	4720-00-737-3248	7373248	19207 HOSE ASSEMBLY, NONMETAL: SUPPLY, FORWARD, REAR AND REAR AXLE BRAKE	EA	2
117	14	PAOZZ	4730-00-737-3249	7373249	19207 TEE, MULTIPLE, FLUID PRESSURE LINE: REAR, REAR AND FORWARD REAR AXLE BRAKE WHEEL CYLINDER LINE	EA	2



Current part is item (4) on diagram. Available at www.oshkoshequipment.com

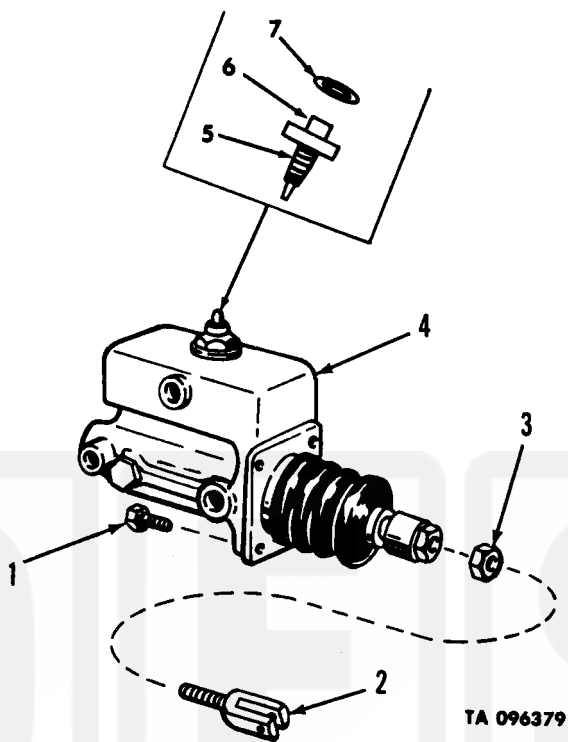


Figure 116. Master cylinder assembly.

Oshkosh
Equipment Sales